

TRADITIONAL 2500 WINDOW AND DOORS

CUTTING EDGE

THE TRADITIONAL 2500 MULTI-FUNCTION WEATHERSEAL IS AT THE CUTTING EDGE OF MODERN DESIGN AND MATERIAL TECHNOLOGY



THE 2500
SYSTEM IS
TECHNICALLY
ADVANCED
WITH HIGH
PERFORMANCE



TRADITIONAL 2500
WINDOW AND DOORS

deceuninck



TRADITIONAL 2500

CASEMENT INTERNALLY GLAZED

FRAMING

- choice of two outer frame sizes (52mm, 70mm)
- choice of three transom/mullion sizes (68mm, 88mm, 110mm)

SEALS/GASKETS

- main profiles supplied with high-performance integral multifunctional seal/gasket

REINFORCING

- galvanised steel profiles optimised for strength and rigidity
- optional thermal chamber insulator (TCI) for enhanced thermal performance and screw retention

WINDOW STYLES

- top hung, side hung and fixed light frames
- multilights combining above elements

FABRICATION

- fully welded construction
- mechanically joined transoms/mullions

GLAZING

- choice of four glazing bead styles
- glazing options from 5mm up to 42mm thickness
- Georgian bar

ANCILLARIES

- frame extensions and cills
- lightweight and structural coupling members

HARDWARE

- 17.5mm cavity depth
- 9mm sash cover
- 17mm rebate height

SECURITY

- Kitemarked approved to PAS 24 enhanced security standard

THERMAL INSULATION

- U_w 0.90 W/m²k
- WER C to A++

ACOUSTIC PERFORMANCE

- R_w (C; Ctr) 35 (-2; -5) dB
- R_w (C; Ctr) 38 (-1; -4) dB
- R_w (C; Ctr) 42 (-2; -3) dB

DESIGN

- complements classical and contemporary architecture
- personalise with glazing bead options
- white colour RAL 9016
- many foil colour options available from stock
- Decoroc® colours and more foils on request

SIZE LIMITATION AND PERFORMANCE CHARACTERISTICS

WINDOW TYPE	LENGTH (MM) - MAXIMUM	HEIGHT (MM) - MAXIMUM	PERIMETER (MM) - MAXIMUM	TRANSOM/MULLION LENGTH (MM) INC. FRAME - MAXIMUM	AIR PERMEABILITY CLASSIFICATION	WATER TIGHTNESS CLASSIFICATION	RESISTANCE TO WIND CLASSIFICATION	EXPOSURE CATEGORY AS GIVEN IN TABLE 1 OF BS 6375-1
-------------	--------------------------	--------------------------	-----------------------------	--	------------------------------------	-----------------------------------	---	--

SASH DIMENSIONS FOR WINDOWS WITH APPROVED SASH PROFILES:

PROJECTING TOP HUNG	1200	1500	-	-	4	E1050	A5	2000
PROJECTING SIDE HUNG	900	1400	-	-	4	7A	A5	2000

OVERALL DIMENSIONS FOR WINDOWS WITH APPROVED OUTER FRAME PROFILES:

FIXED	3000	3000	8000	-	4	9A	A5	2000
-------	------	------	------	---	---	----	----	------

OVERALL DIMENSIONS FOR APPROVED OUTER FRAMES AND TRANSOM/MULLION PROFILES:

MULTI-LIGHT - STEEL TRANSOM/MULLION REINFORCEMENT	2400	2400	7600	1400	4	9A	A5	2000
---	------	------	------	------	---	----	----	------

TRADITIONAL 2500

CASEMENT VERTICAL SECTION

deceuninck

nbsPlus

riba
product
selector

nbs
BIM

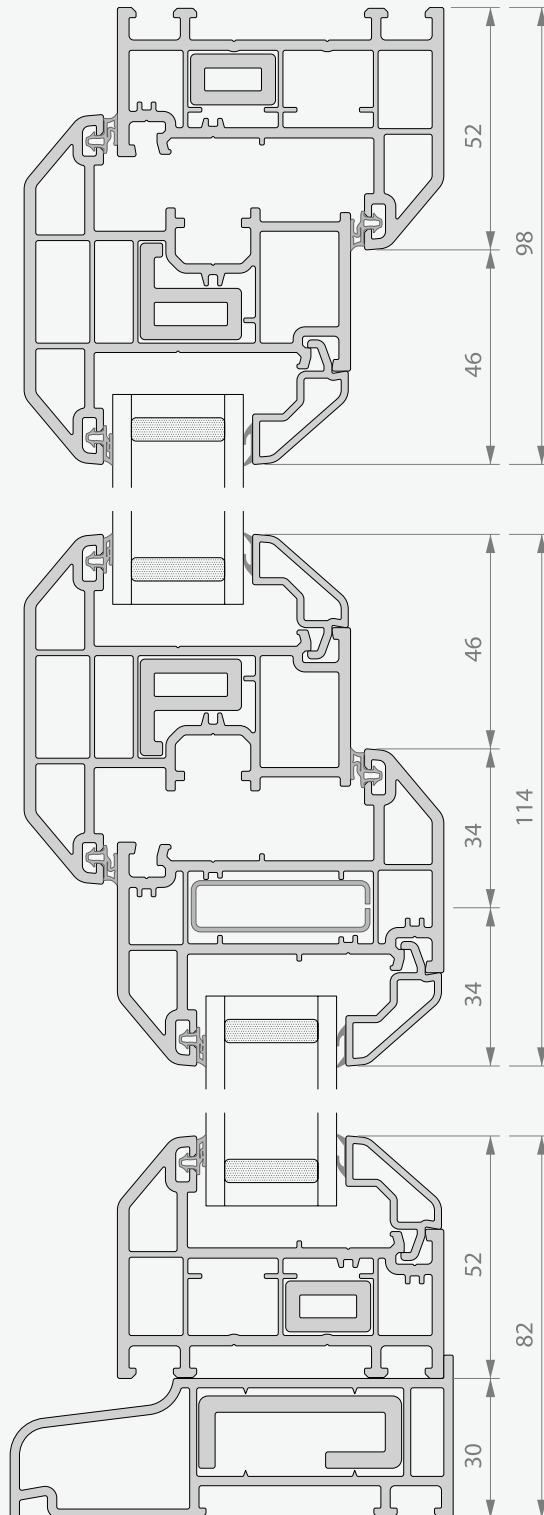
TECHNICAL AND SPECIFICATION SUPPORT

Specification Support forms an essential link between architects, specifiers and approved Deceuninck fabricators and installers. The team provide informed guidance on the use of products, samples, drawings and specifications with contact maintained throughout each stage of a contract to completion.

Deceuninck can offer a technical design service for suitable schemes embracing:



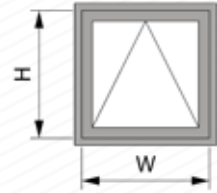
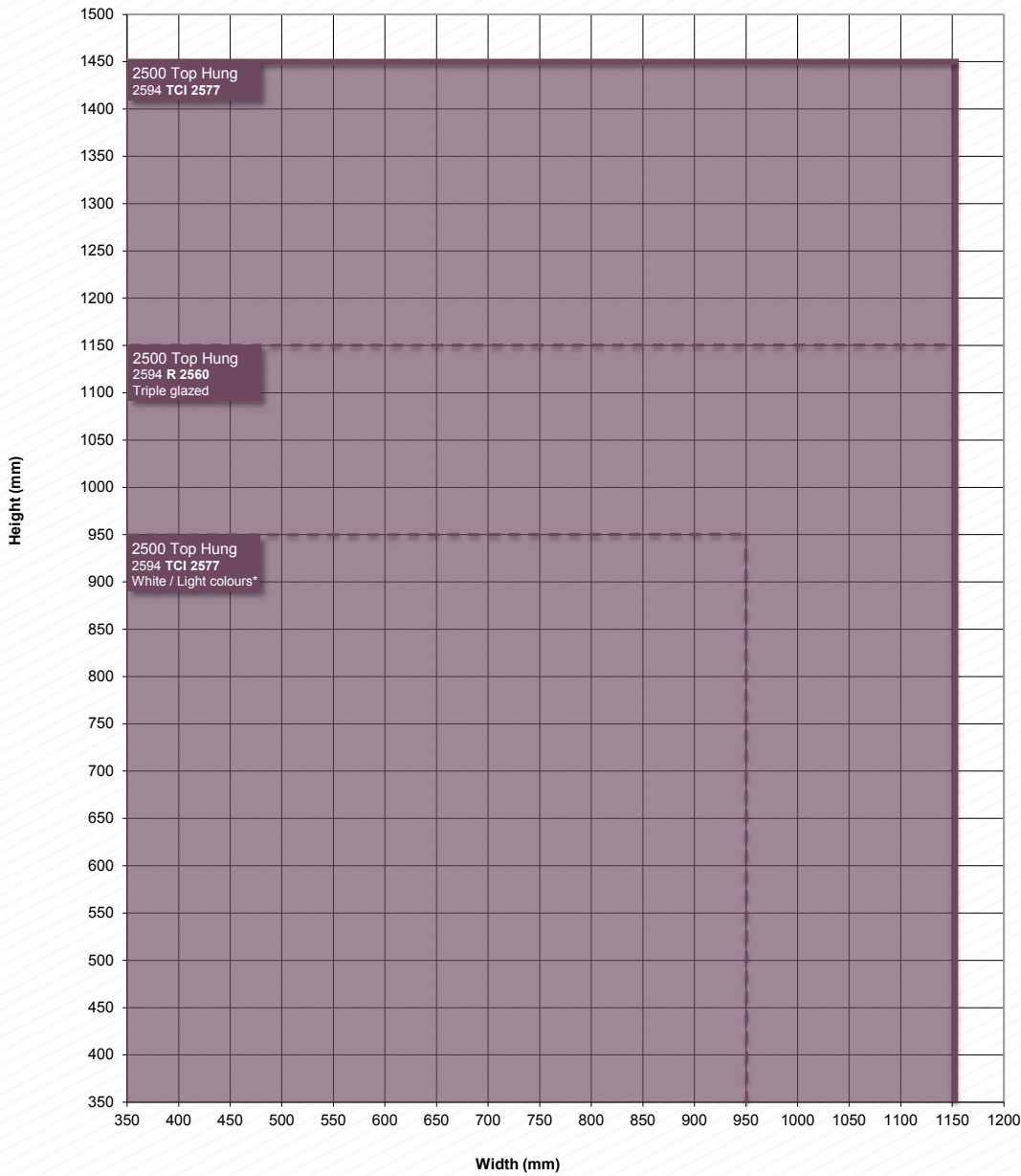
- product selection and application
- technical review to confirm compliance with Building Regulations
- advice on exposure conditions
- wind load calculations
- framing construction and design solutions
- generation of scheme drawings for tendering purposes
- technical specification
- window samples for client/authority approval



TRADITIONAL 2500

CASEMENT TOP HUNG

MAXIMUM SASH DIMENSIONS



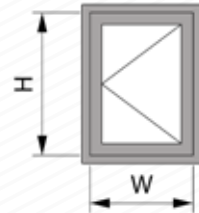
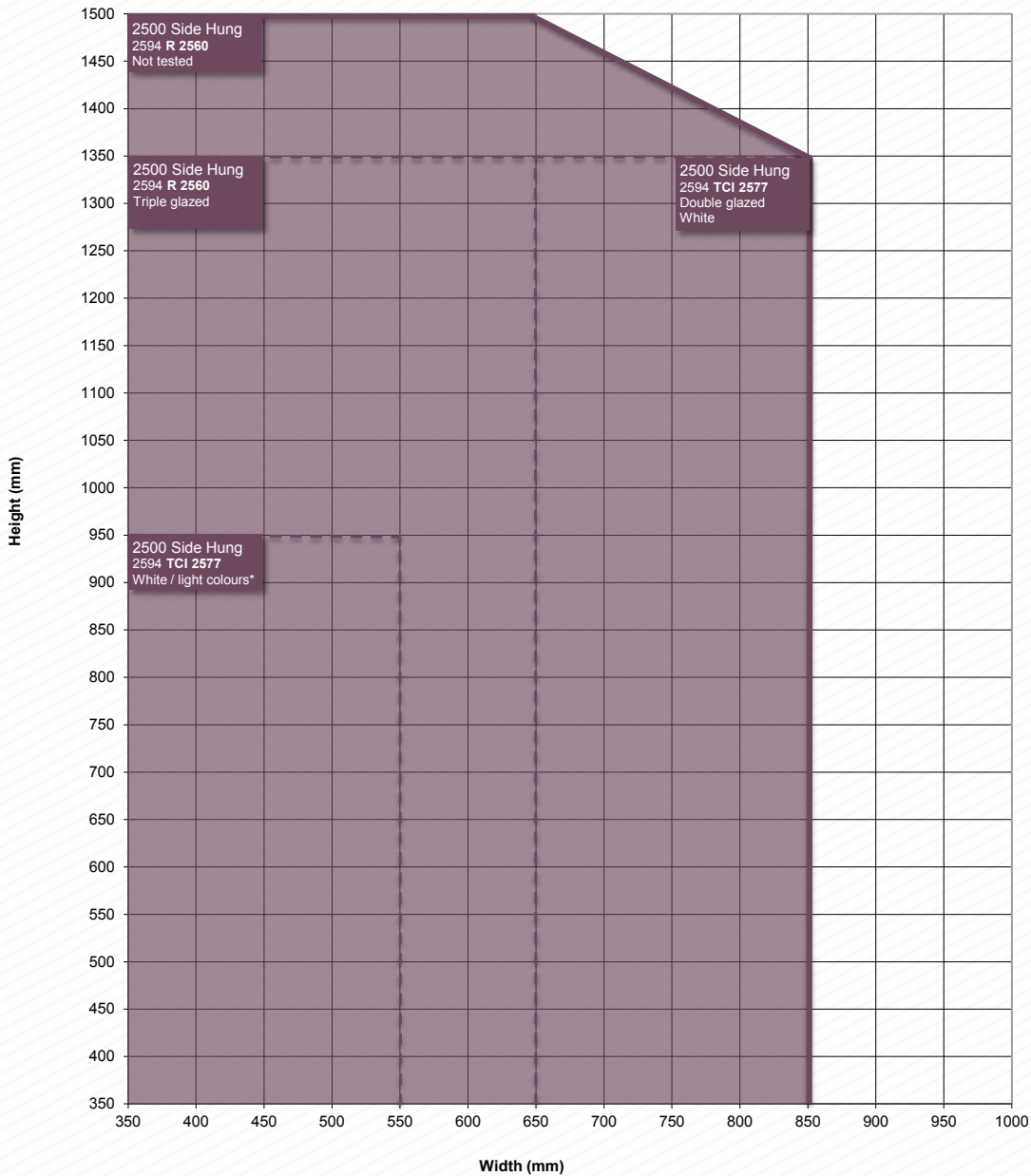
* Profile colours where the surface temperature does not exceed 60°C;
 003 White, 004 Grey, 019 Warm White, 080 Heritage White, 081 Ice Cream, 096 Cream,
 106 Chartwell Green, 665 Agate Grey

Double glazing unless stated otherwise

TRADITIONAL 2500 CASEMENT SIDE HUNG

deceuninck

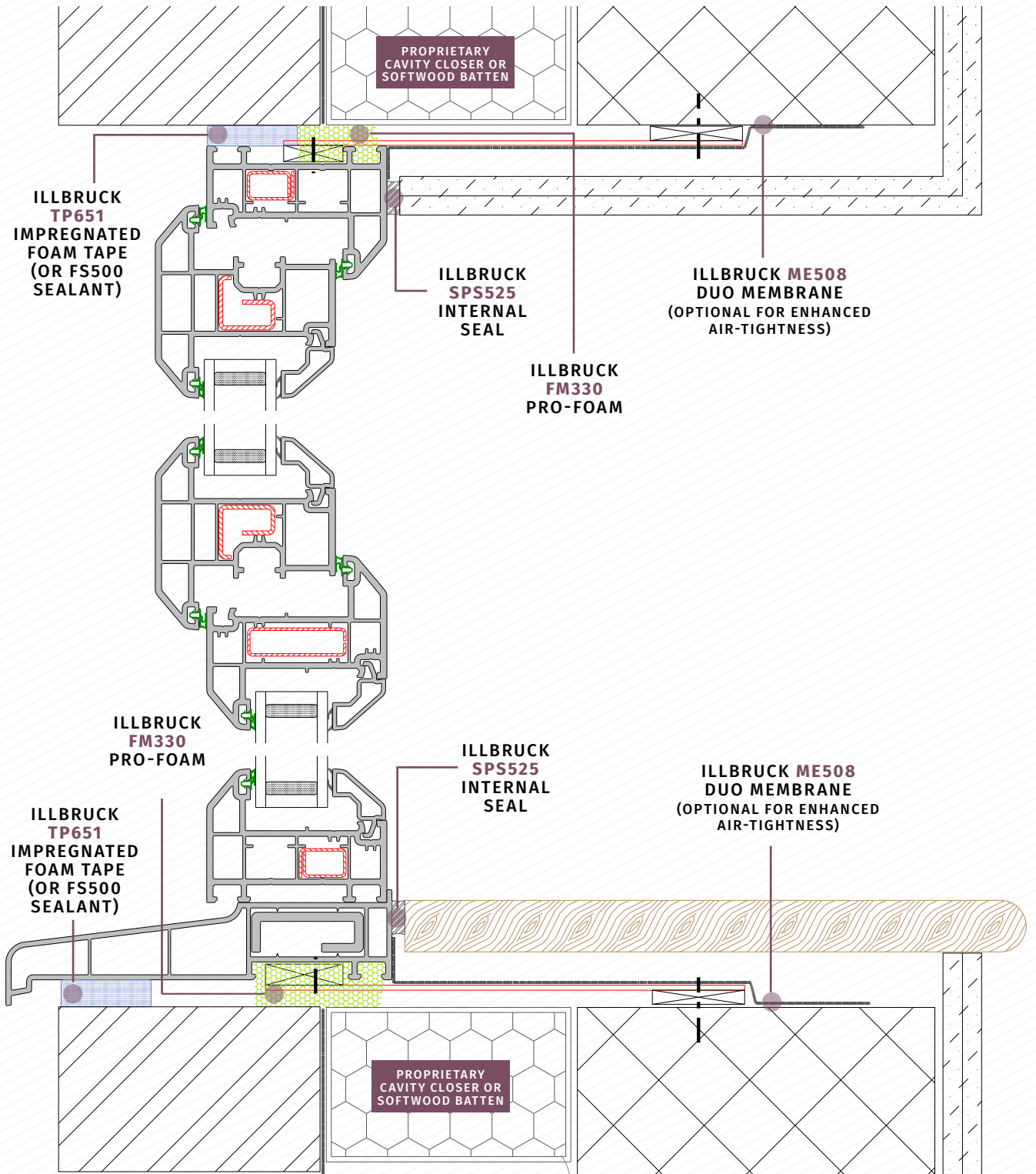
MAXIMUM SASH DIMENSIONS



* Profile colours where the surface temperature does not exceed 60°C;
003 White, 004 Grey, 019 Warm White, 080 Heritage White, 081 Ice Cream, 096 Cream,
106 Chartwell Green, 665 Agate Grey

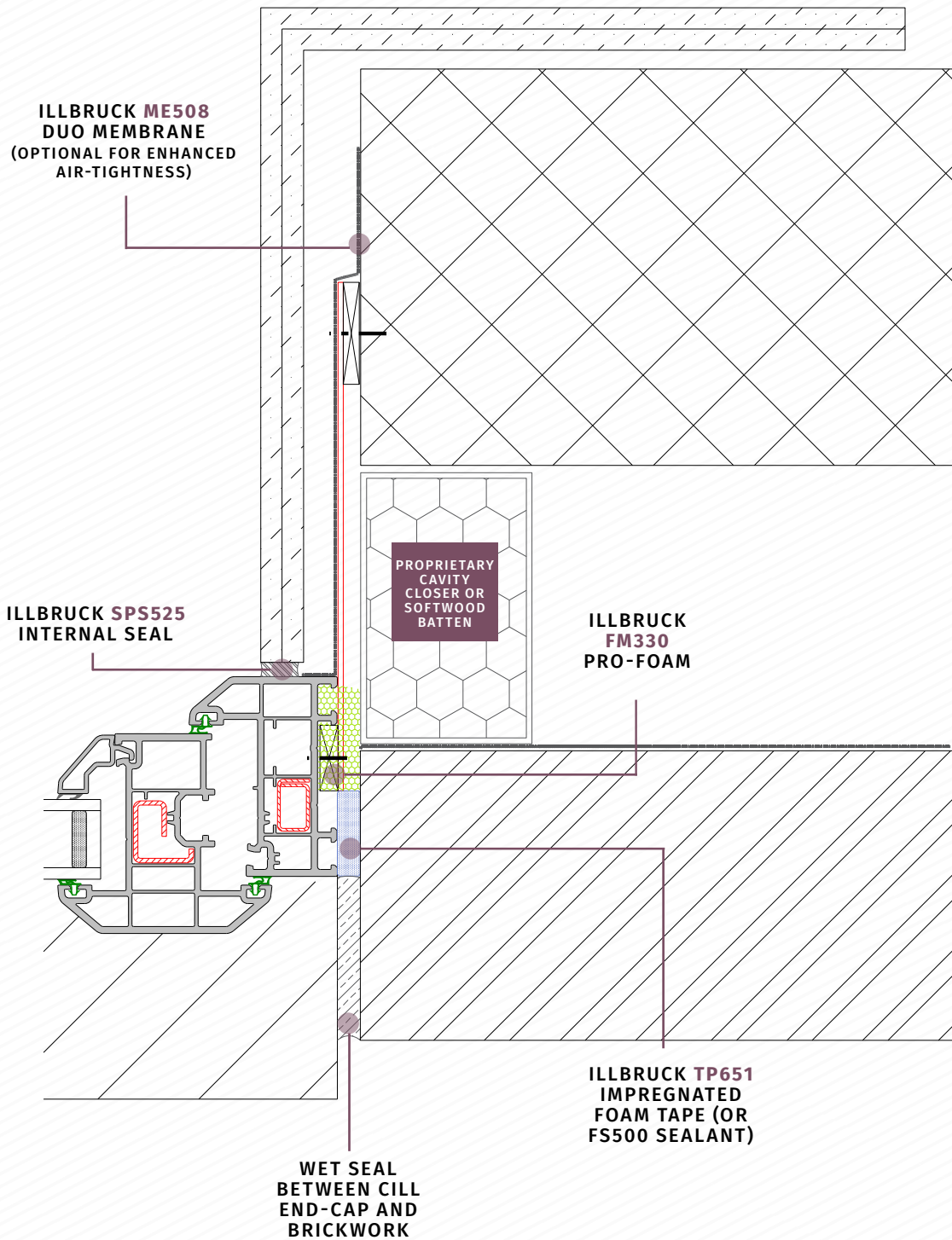
Double glazing unless stated otherwise

TRADITIONAL 2500 CASEMENT BRICK-BLOCK

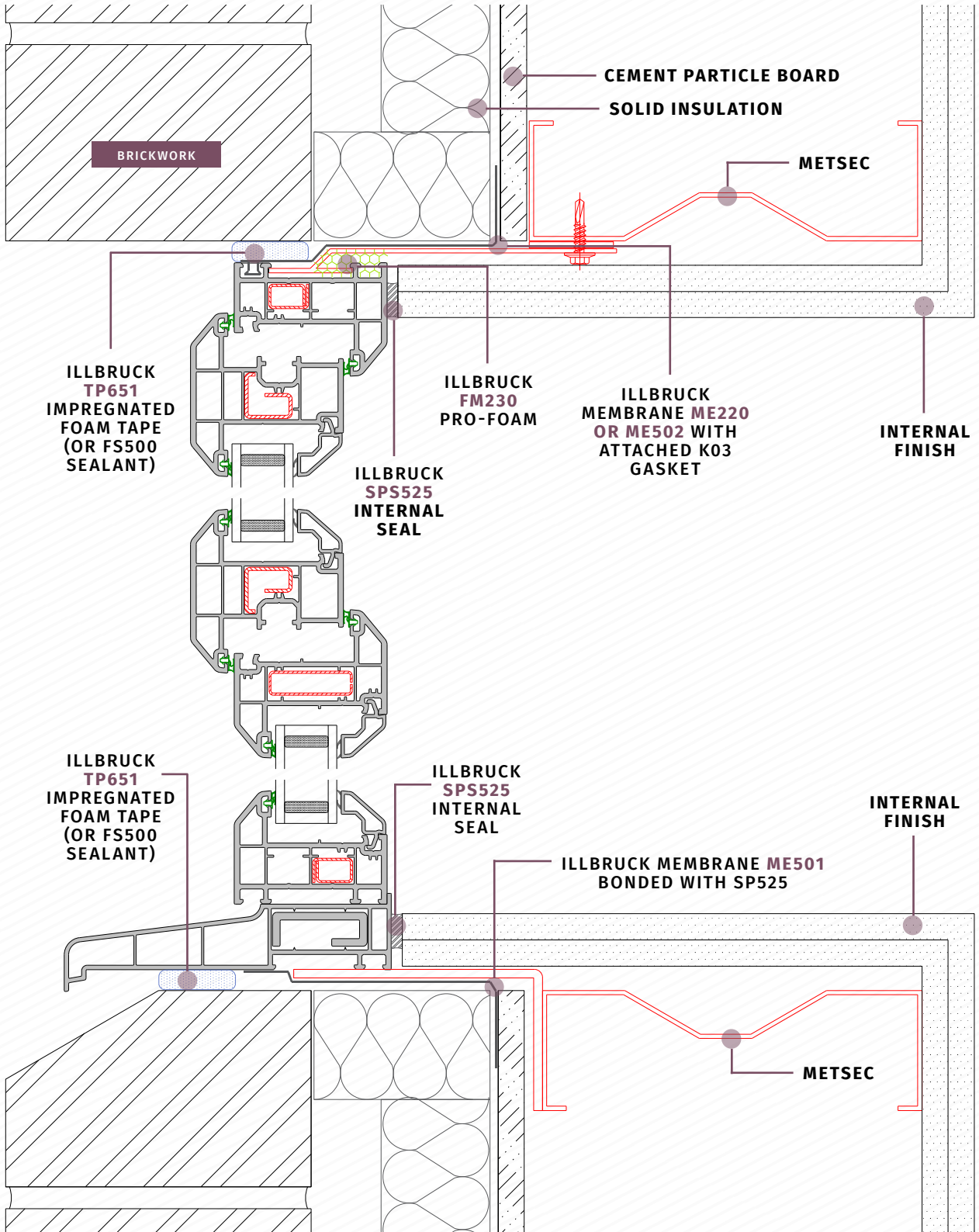


TRADITIONAL 2500 CASEMENT BRICK-BLOCK

deceuninck

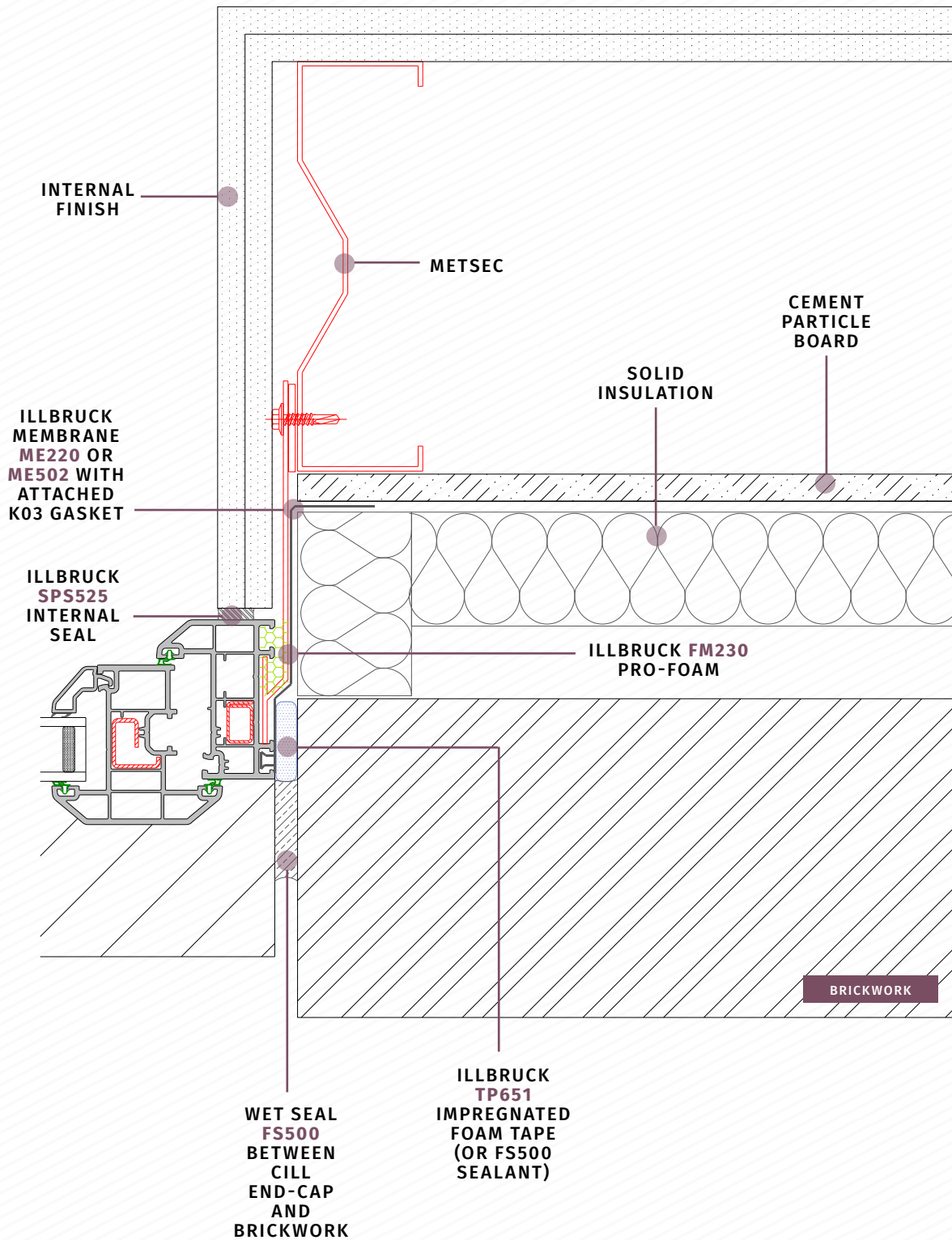


TRADITIONAL 2500 CASEMENT BRICK-METSEC



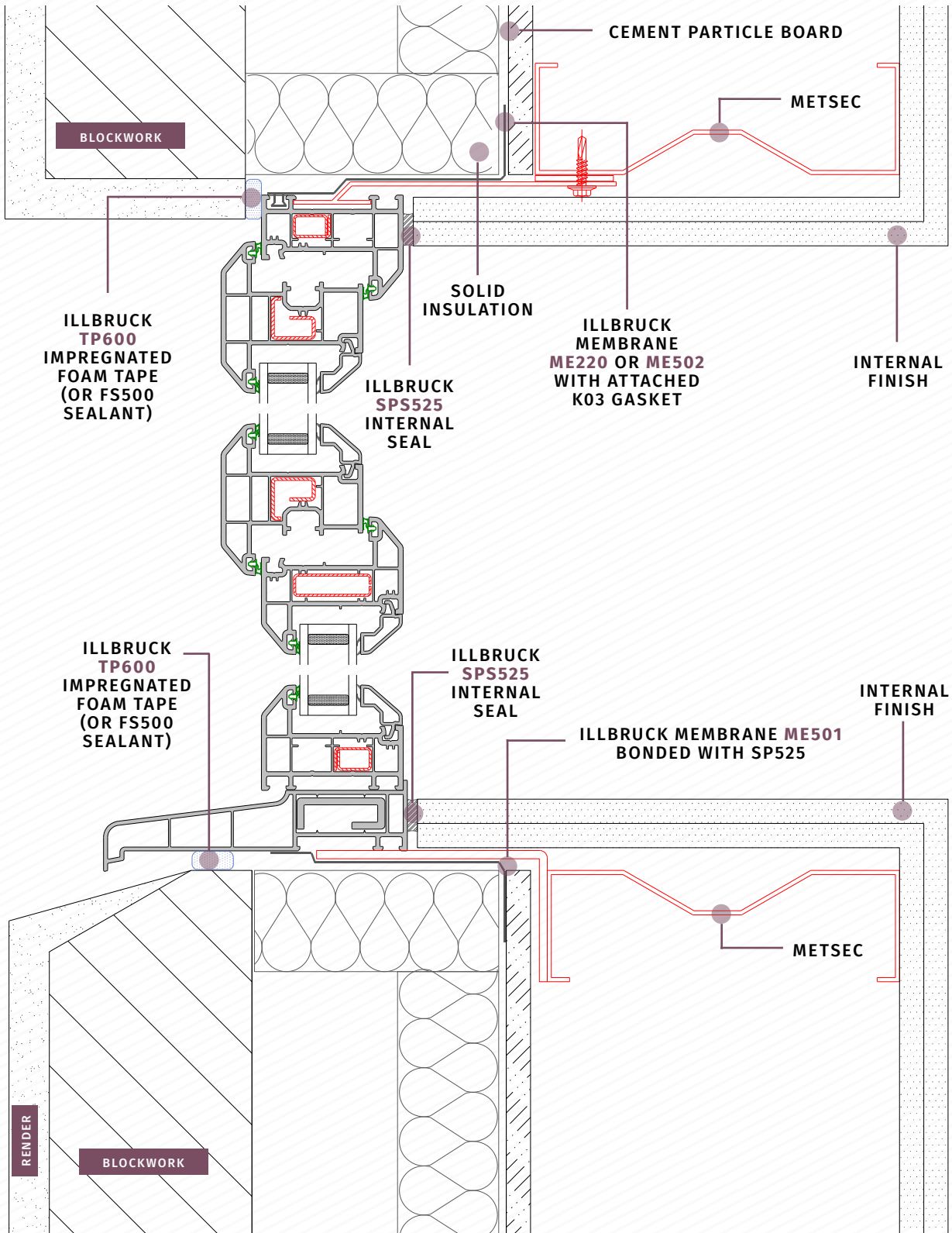
TRADITIONAL 2500 CASEMENT BRICK-METSEC

deceuninck



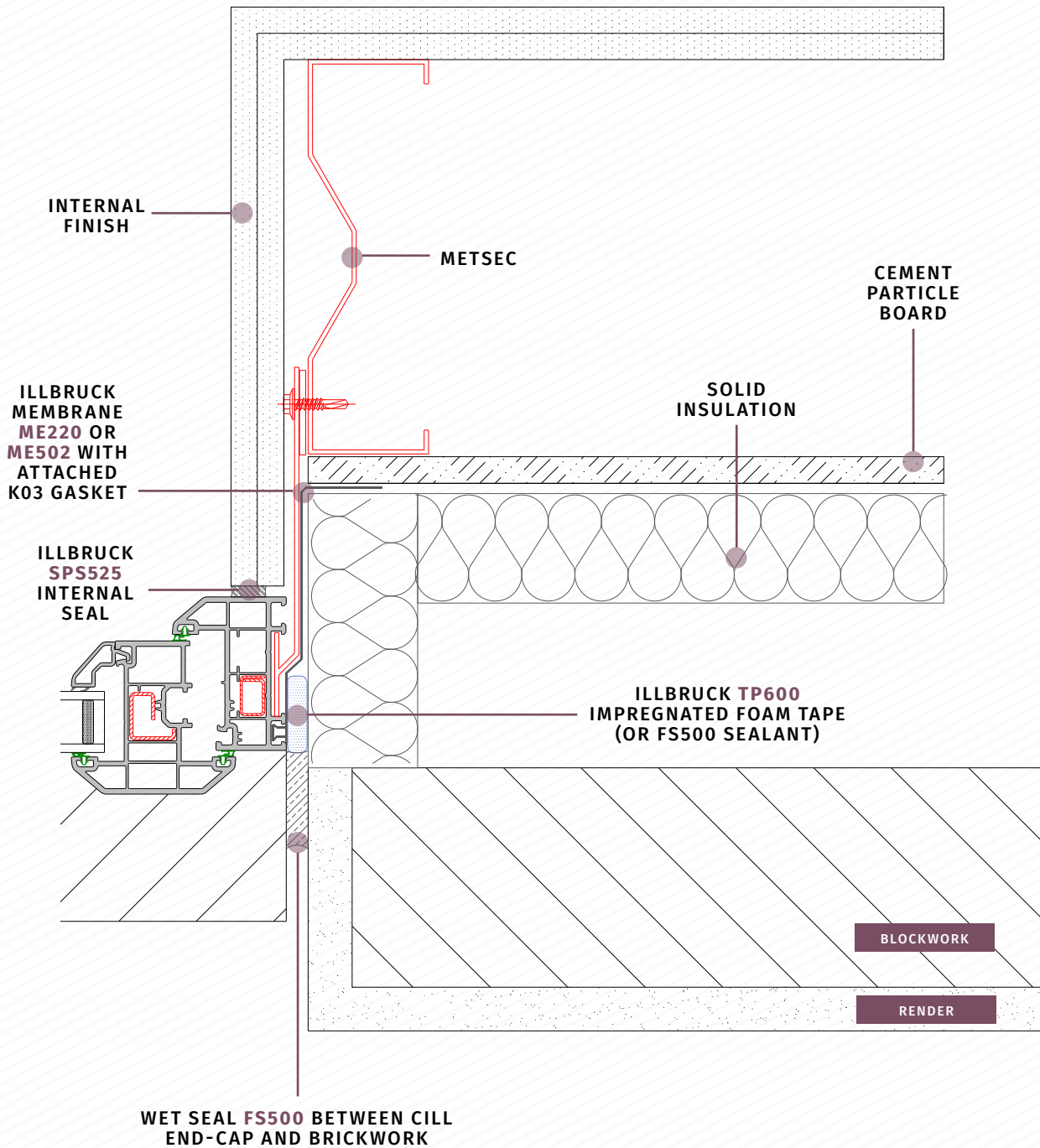
TRADITIONAL 2500

CASEMENT BLOCK-METSEC

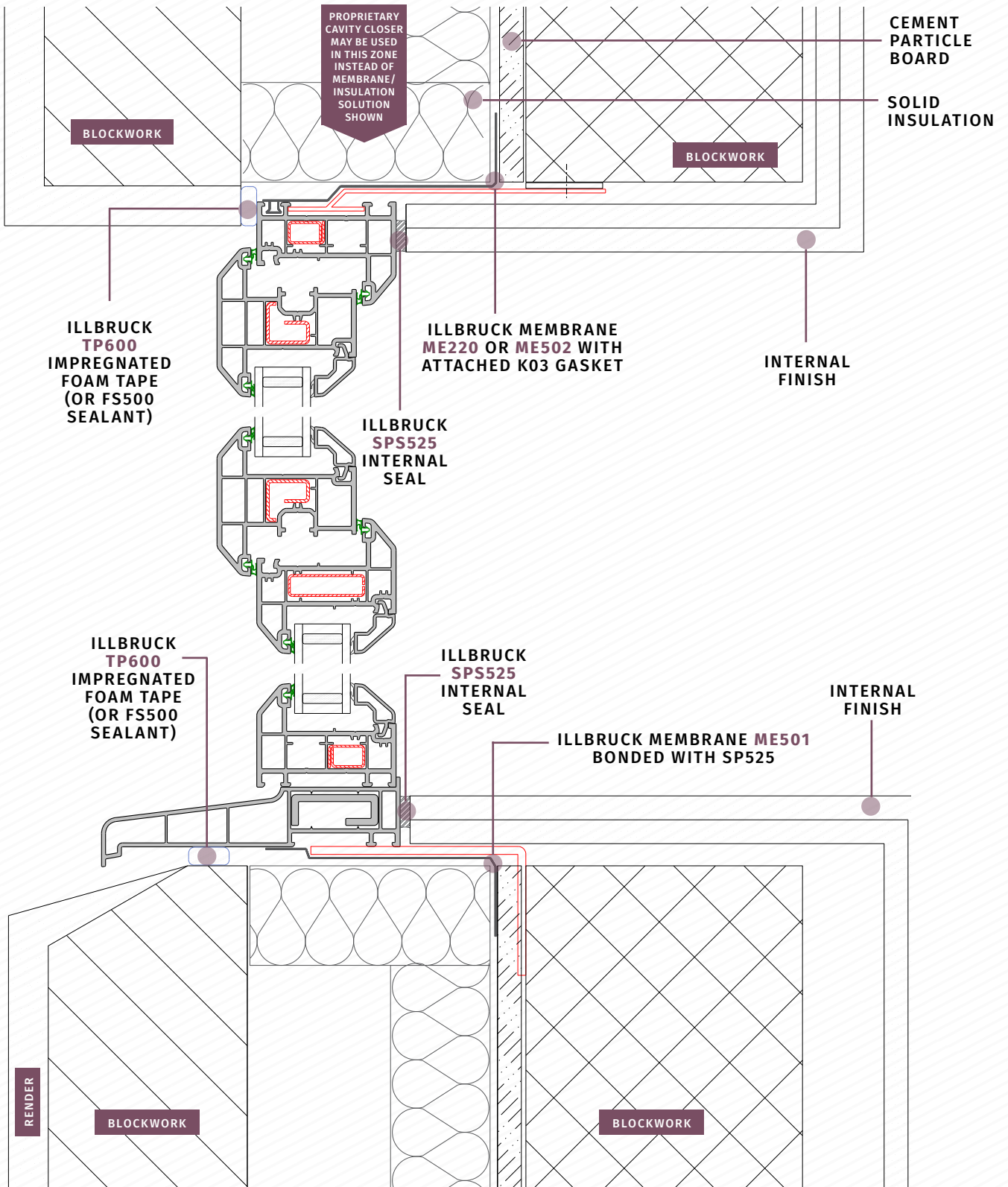


TRADITIONAL 2500 CASEMENT BLOCK-METSEC

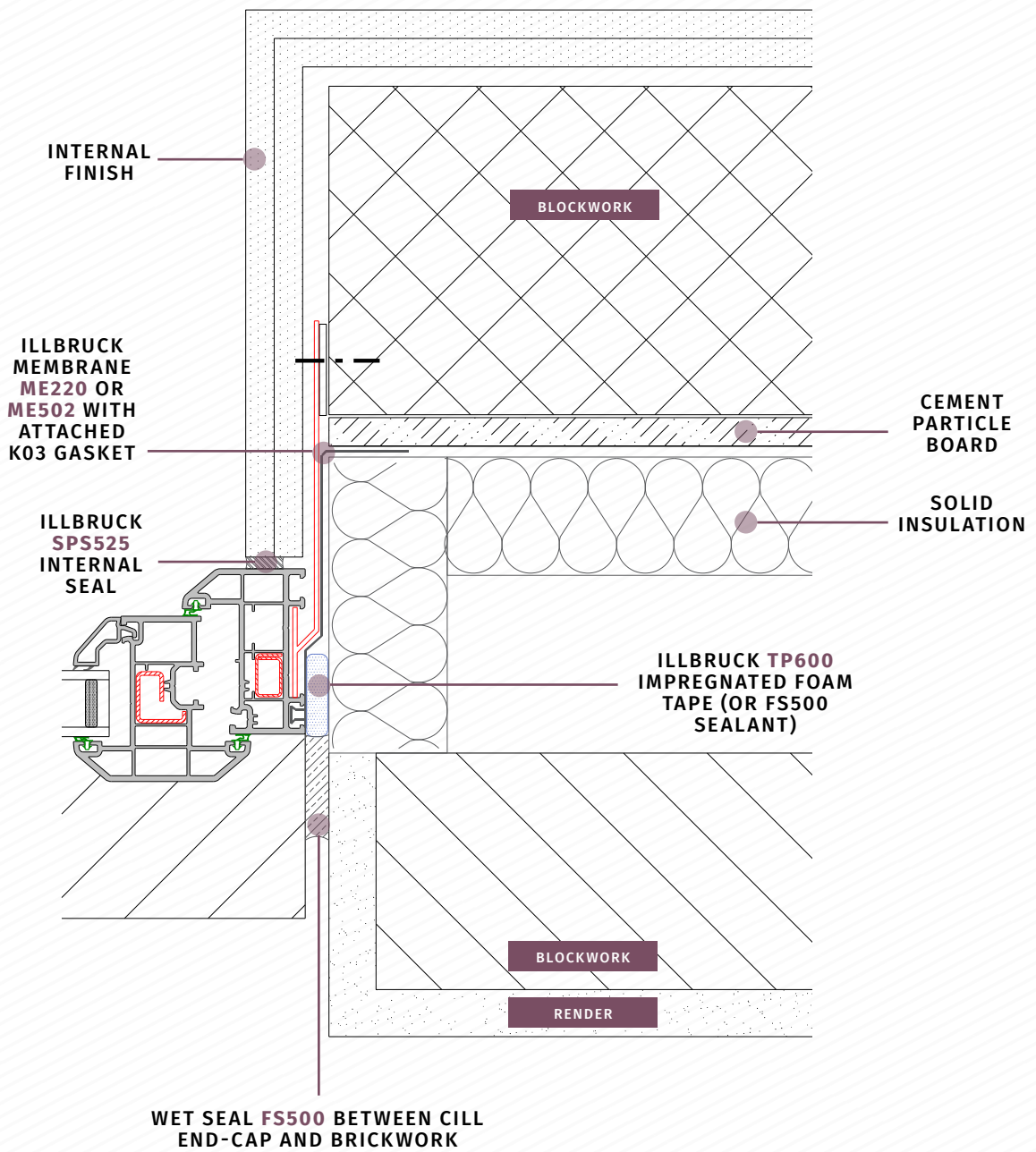
deceuninck



TRADITIONAL 2500 CASEMENT BLOCK-BLOCK

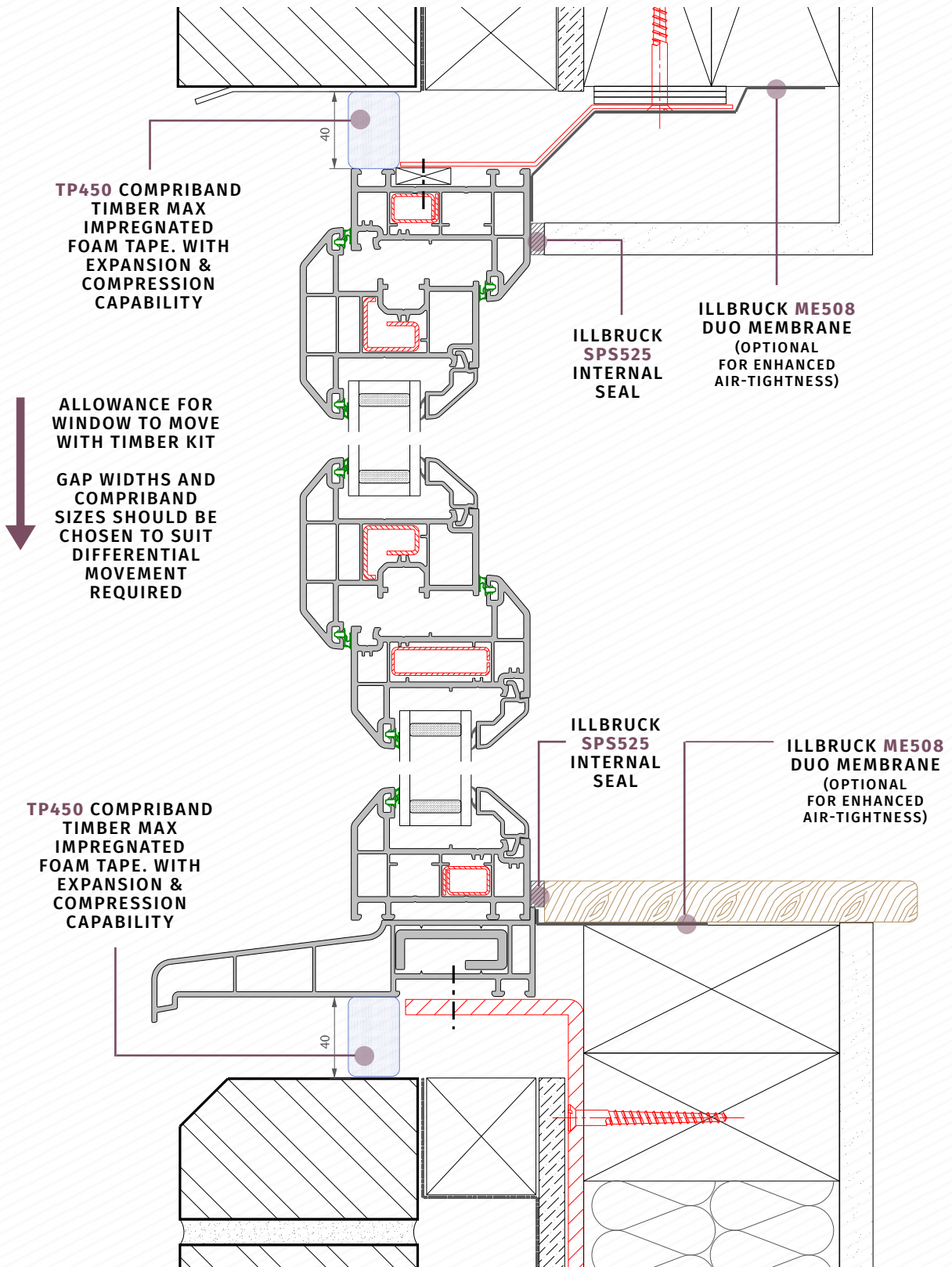


TRADITIONAL 2500 CASEMENT BLOCK-BLOCK



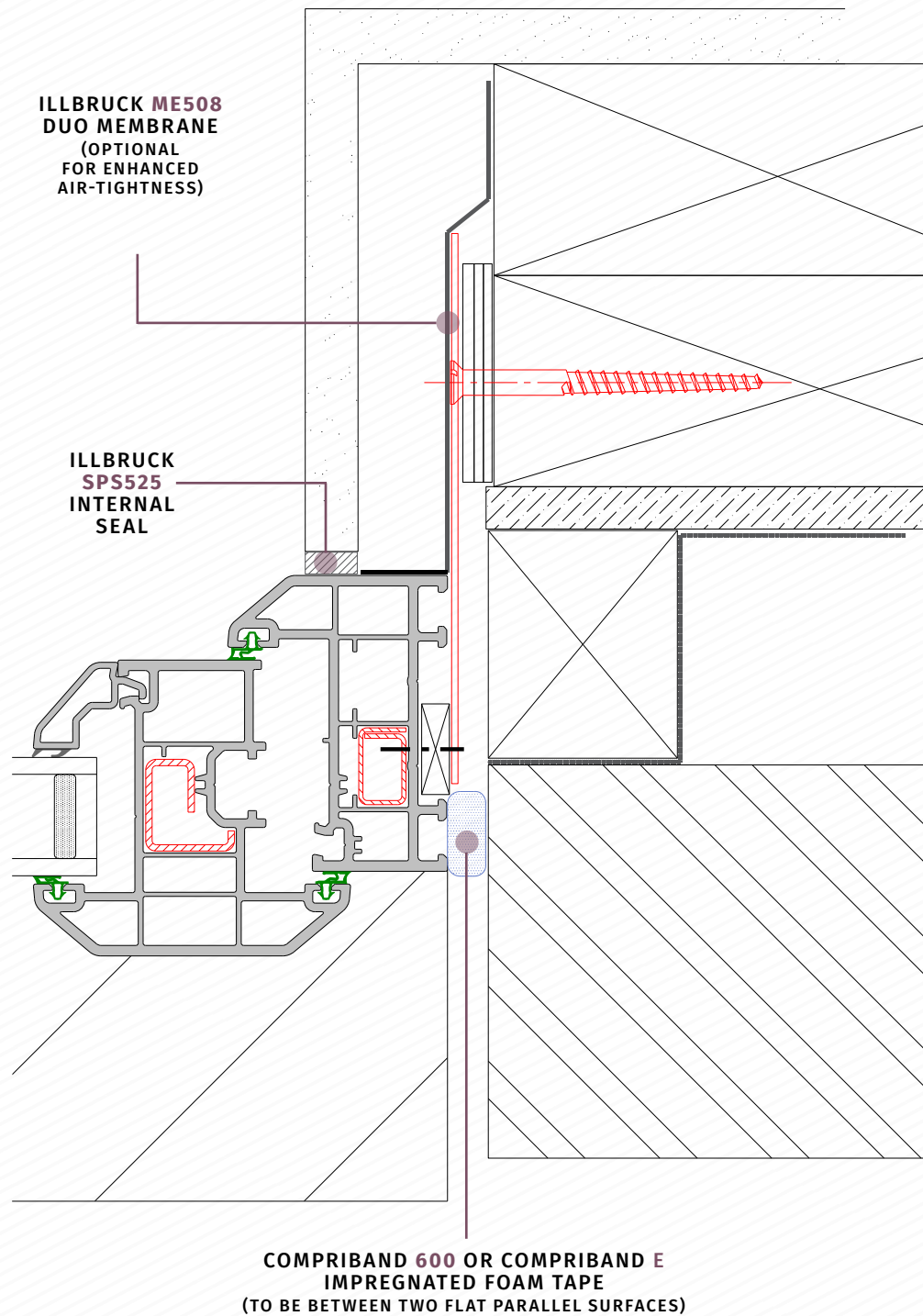
TRADITIONAL 2500

CASEMENT TIMBER FRAME



TRADITIONAL 2500 CASEMENT TIMBER FRAME

deceuninck



TRADITIONAL 2500

TILT AND TURN

FRAMING

- choice of two outer frame sizes (52mm, 70mm)
- choice of three transom/mullion sizes (68mm, 88mm, 110mm)
- standard (88mm) and heavy duty (110mm) sash options

SEALS/GASKETS

- main profiles supplied with high-performance integral multifunctional seal/gasket

REINFORCING

- galvanised steel profiles optimised for strength and rigidity
- optional thermal chamber insulator (TCI) for enhanced thermal performance and screw retention, frame only

WINDOW STYLES

- single, multi-light or coupled
- turn only, tilt only, tilt before turn

FABRICATION

- fully welded construction
- mechanically joined transoms/mullions

GLAZING

- choice of four glazing bead styles
- glazing options from 5mm up to 42mm thickness
- Georgian bar

ANCILLARIES

- frame extensions and cills
- lightweight and structural coupling members

HARDWARE

- 18.5mm cavity depth
- 8mm sash cover
- 17mm rebate height

SECURITY

- Kitemarked approved to PAS 24 enhanced security standard

THERMAL INSULATION

- U_w 0.97 W/m²k
- WER C to A+

ACOUSTIC PERFORMANCE

- R_w (C ; Ctr) 35 (-2 ; -5) dB
- R_w (C ; Ctr) 38 (-1 ; -4) dB
- R_w (C ; Ctr) 42 (-2 ; -3) dB

DESIGN

- complements classical and contemporary architecture
- personalise with glazing bead options
- white colour RAL 9016
- many foil colour options available from stock
- Decoroc® colours and more foils on request

SIZE LIMITATION AND PERFORMANCE CHARACTERISTICS

WINDOW TYPE	LENGTH (MM) - MAXIMUM	HEIGHT (MM) - MAXIMUM	PERIMETER (MM) - MAXIMUM	TRANSOM/MULLION LENGTH (MM) INC. FRAME - MAXIMUM	AIR PERMEABILITY CLASSIFICATION	WATER TIGHTNESS CLASSIFICATION	RESISTANCE TO WIND CLASSIFICATION	EXPOSURE CATEGORY AS GIVEN IN TABLE 1 OF BS 6375-1
-------------	--------------------------	--------------------------	-----------------------------	--	------------------------------------	-----------------------------------	---	--

SASH DIMENSIONS FOR WINDOWS WITH APPROVED SASH PROFILES

TILT AND TURN	1500	1500	-	-	4	8A	A5	2000
---------------	------	------	---	---	---	----	----	------

OVERALL DIMENSIONS FOR WINDOWS WITH APPROVED OUTER FRAME PROFILES

FIXED	3000	3000	8000	-	4	9A	A5	2000
-------	------	------	------	---	---	----	----	------

OVERALL DIMENSIONS FOR APPROVED OUTERFRAMES AND TRANSOM/MULLION PROFILES

MULTI-LIGHT - STEEL TRANSOM/MULLION REINFORCEMENT	2400	2400	7600	1400	4	9A	A5	2000
---	------	------	------	------	---	----	----	------

TRADITIONAL 2500

TILT AND TURN VERTICAL SECTION

deceuninck

nbsPlus

riba
product
selector

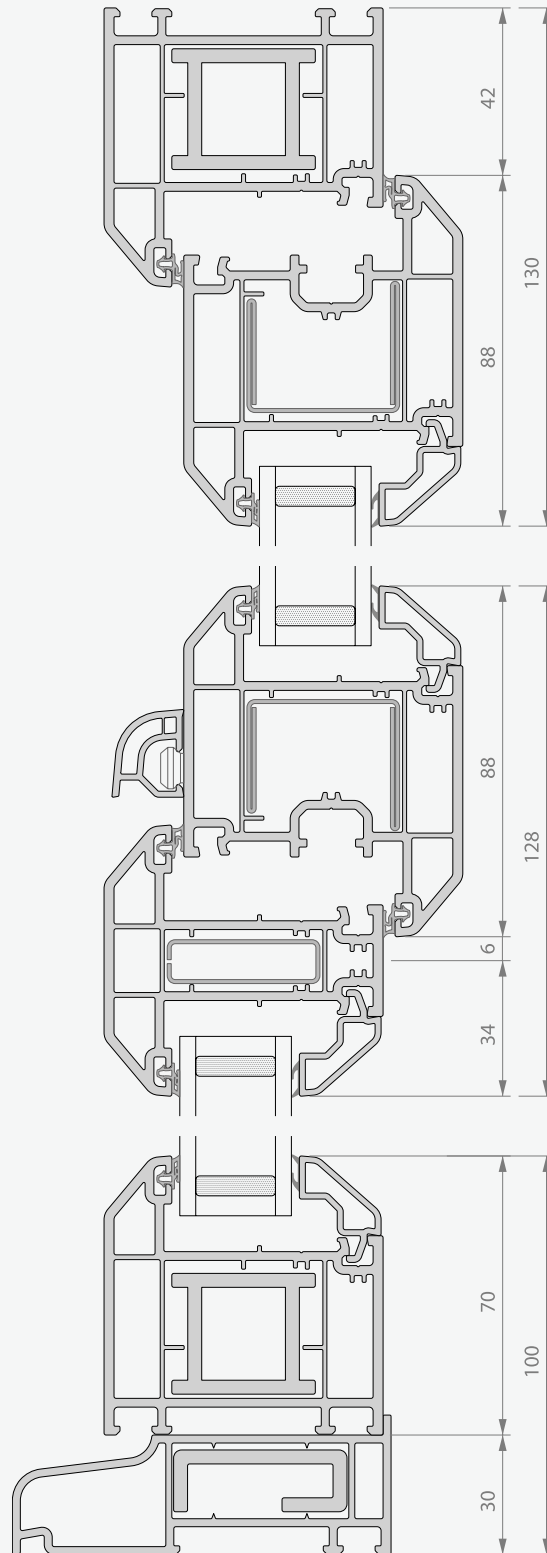
nbs
BIM

TECHNICAL AND SPECIFICATION SUPPORT

Specification Support forms an essential link between architects, specifiers and approved Deceuninck fabricators and installers. The team provide informed guidance on the use of products, samples, drawings and specifications with contact maintained throughout each stage of a contract to completion.

Deceuninck can offer a technical design service for suitable schemes embracing:

- product selection and application
- technical review to confirm compliance with Building Regulations
- advice on exposure conditions
- wind load calculations
- framing construction and design solutions
- generation of scheme drawings for tendering purposes
- technical specification
- window samples for client/authority approval



deceuninck

TRADITIONAL 2500

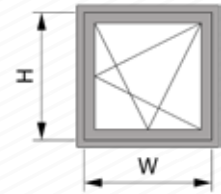
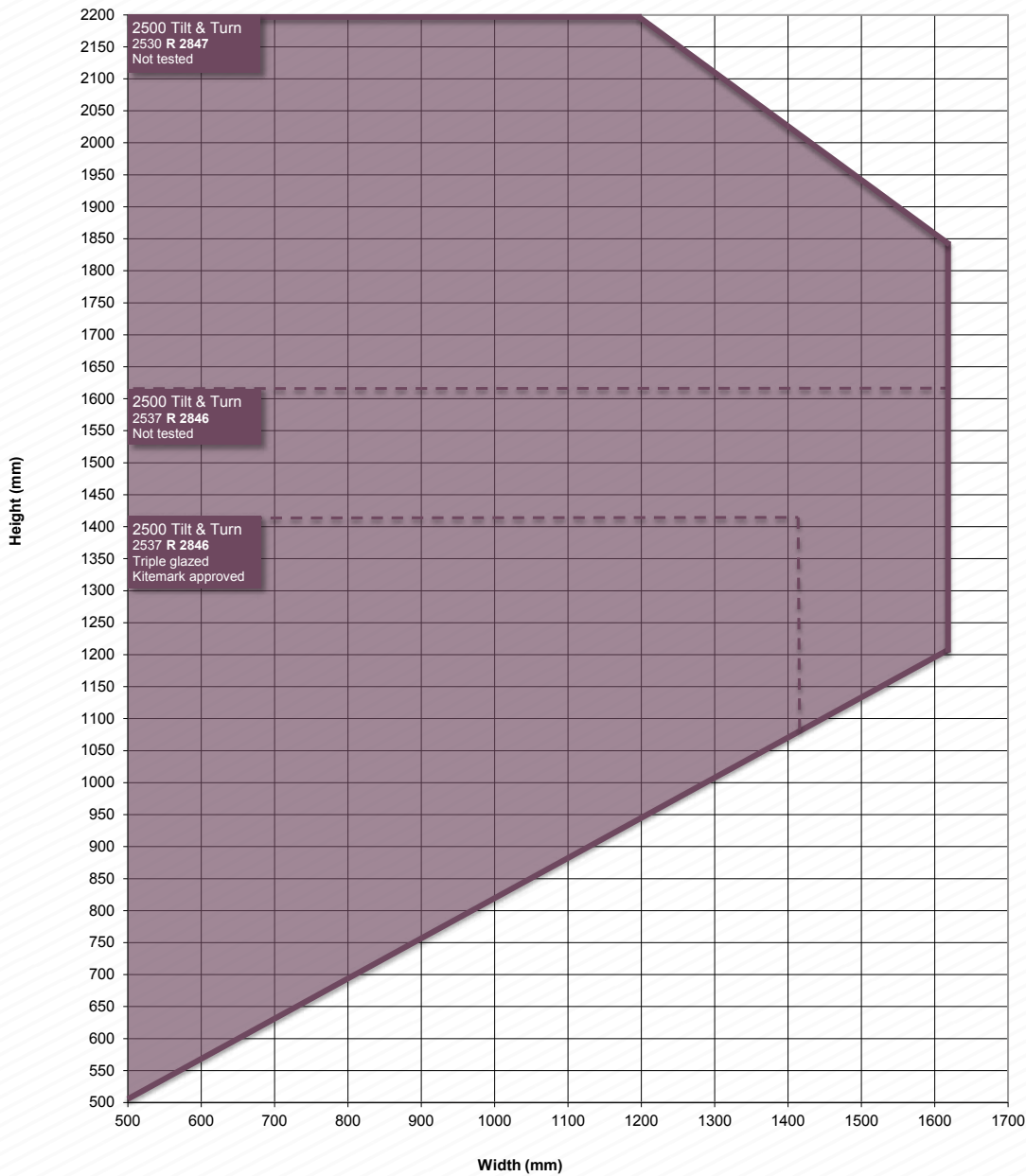
TILT AND TURN WINDOW



TRADITIONAL 2500 TILT AND TURN WINDOW



MAXIMUM SASH DIMENSIONS



TRADITIONAL 2500

RESIDENTIAL DOOR

FRAMING

- choice of two outer frame sizes (52mm, 70mm)
- choice of three transom/mullion sizes (68mm, 88mm, 110mm)
- Part M compliant low threshold

SEALS/GASKETS

- main profiles supplied with high-performance integral multifunctional seal/gasket

REINFORCING

- galvanised steel profiles optimised for strength and rigidity
- optional thermal chamber insulator (TCI) for enhanced thermal performance and screw retention, frame only

DOOR STYLES

- single doors; open in/out
- fan lights and side-light frames
- midrail for letter plates

FABRICATION

- fully welded construction
- mechanically joined transoms/mullions

GLAZING

- choice of four glazing bead styles
- glazing options from 5mm up to 42mm thickness
- Georgian bar

ANCILLARIES

- frame extensions and cills
- lightweight and structural coupling members

HARDWARE

- 18.5mm cavity depth
- 8mm sash cover
- 17mm rebate height

SECURITY

- Kitemarked approved to PAS 24 enhanced security standard

THERMAL INSULATION

- Ud 0.94 W/m²k
- DSER E to A+

DESIGN

- complements classical and contemporary architecture
- personalise with glazing bead options
- white colour RAL 9016
- many foil colour options available from stock
- Decoroc® colours and more foils on request

SIZE LIMITATION AND PERFORMANCE CHARACTERISTICS

TRADITIONAL 2500 PVC-U DOOR SYSTEM

DOOR TYPE	LENGTH (MM) - MAXIMUM	HEIGHT (MM) - MAXIMUM	AIR PERMEABILITY CLASSIFICATION	WATER TIGHTNESS CLASSIFICATION	RESISTANCE TO WIND CLASSIFICATION	EXPOSURE CATEGORY AS GIVEN IN TABLE 1 OF BS 6375-1:2009
-----------	--------------------------	--------------------------	------------------------------------	-----------------------------------	---	--

SASH DIMENSIONS FOR DOORS WITH APPROVED OUTER FRAME AND SASH PROFILES

OPEN IN SINGLE LEAF WITH LOW THRESHOLD	905	2090	4	3A	A3	1200
COUPLED SIDE PANEL	1100	2145	4	3A	A3	1200

TRADITIONAL 2500 RESIDENTIAL DOOR

deceuninck

nbsPlus

riba
product
selector

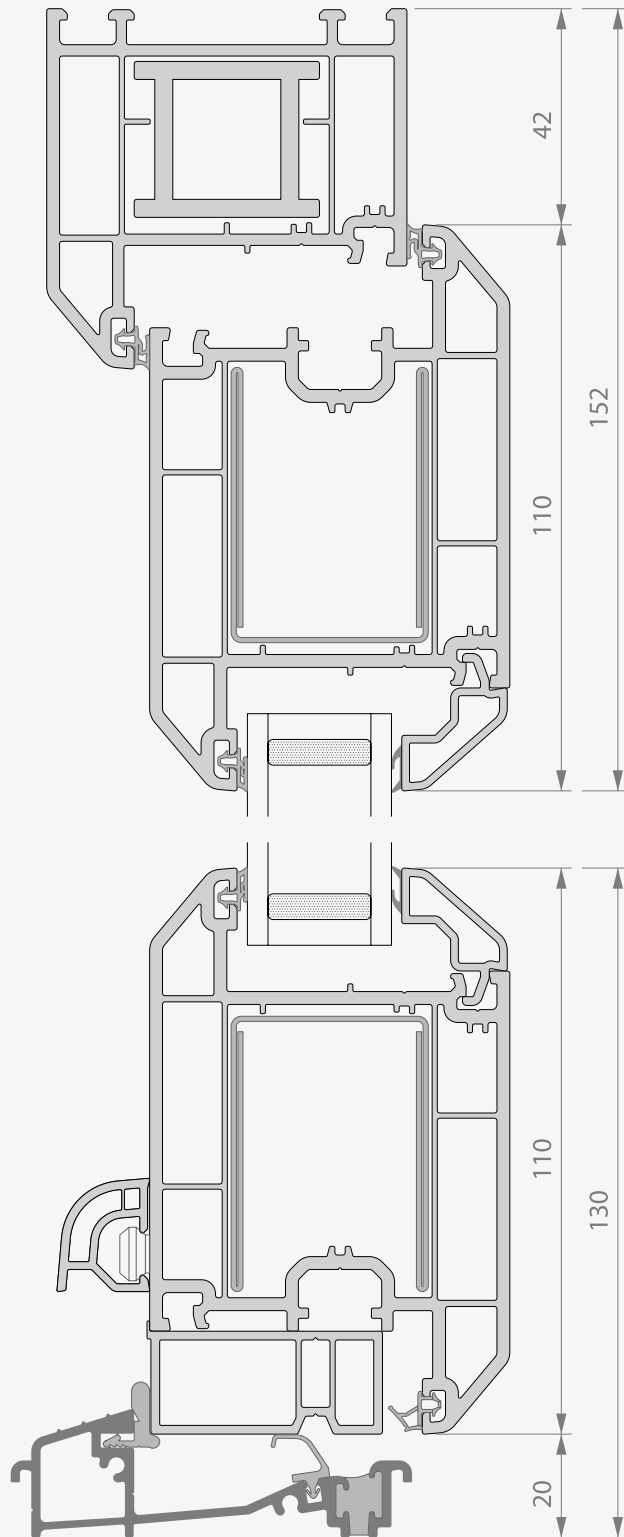
nbs
BIM

TECHNICAL AND SPECIFICATION SUPPORT

Specification Support forms an essential link between architects, specifiers and approved Deceuninck fabricators and installers. The team provide informed guidance on the use of products, samples, drawings and specifications with contact maintained throughout each stage of a contract to completion.

Deceuninck can offer a technical design service for suitable schemes embracing:

- product selection and application
- technical review to confirm compliance with Building Regulations
- advice on exposure conditions
- wind load calculations
- framing construction and design solutions
- generation of scheme drawings for tendering purposes
- technical specification
- window samples for client/authority approval



B





TRADITIONAL 2500

RESIDENTIAL DOOR

2500
RESIDENTIAL
DOOR



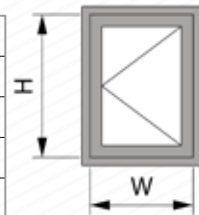
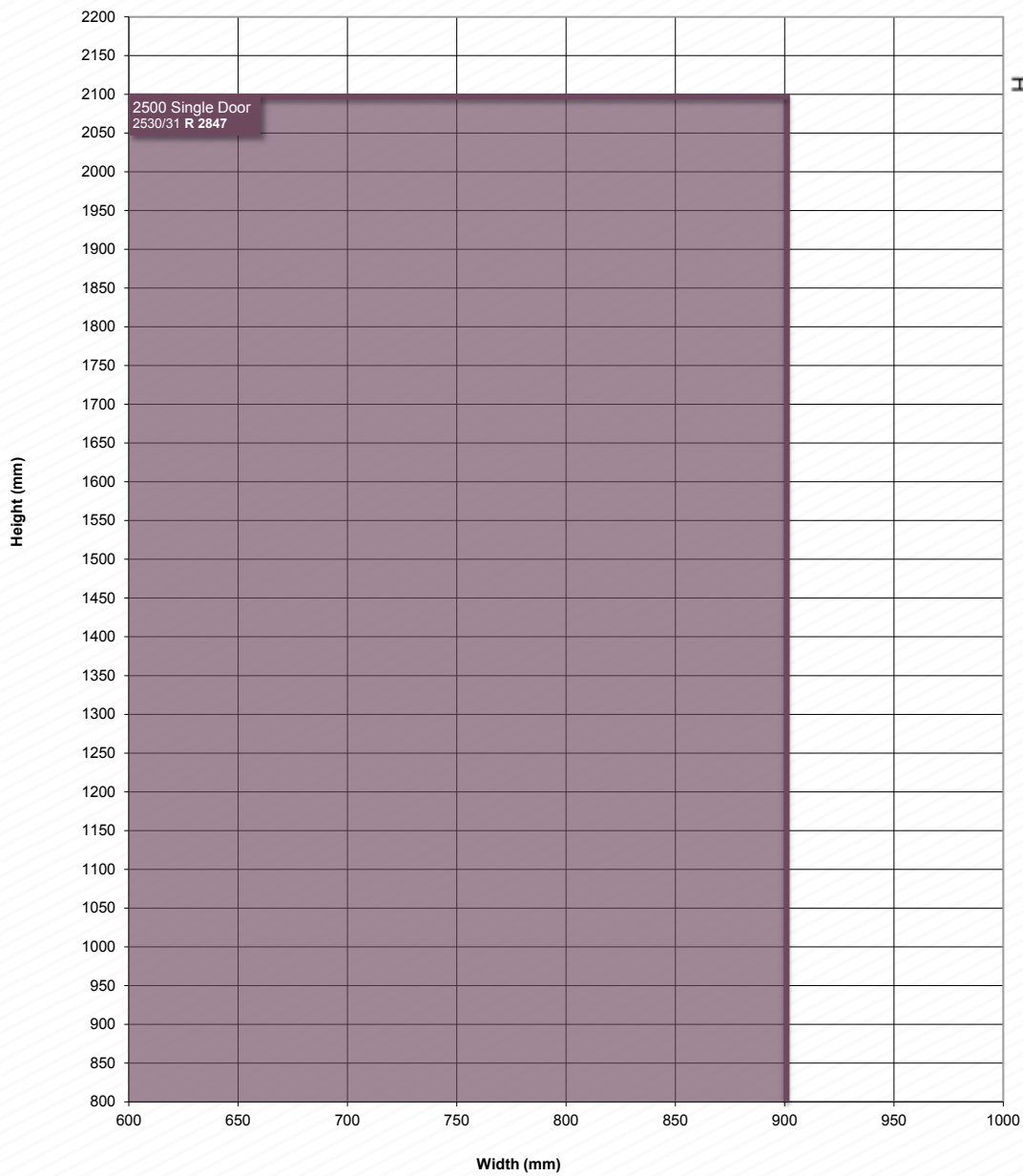
COMPLIMENTS
CLASSICAL AND
CONTEMPORARY
ARCHITECTURE



TRADITIONAL 2500 RESIDENTIAL DOOR

deceuninck

MAXIMUM SASH DIMENSIONS



TRADITIONAL 2500

FRENCH DOOR

FRAMING

- choice of two outer frame sizes (52mm, 70mm)
- choice of three transom/mullion sizes (68mm, 88mm, 110mm)
- Part M compliant low threshold

SEALS/GASKETS

- main profiles supplied with high-performance integral multifunctional seal/gasket

REINFORCING

- galvanised steel profiles optimised for strength and rigidity
- optional thermal chamber insulator (TCI) for enhanced thermal performance and screw retention, frame only

DOOR STYLES

- open in open-out
- fan light and side-light frames

FABRICATION

- fully welded construction
- mechanically joined transoms/mullions

GLAZING

- choice of four glazing bead styles
- glazing options from 5mm up to 42mm thickness
- Georgian bar

ANCILLARIES

- frame extensions and cills
- lightweight and structural coupling members

HARDWARE

- 18.5mm cavity depth
- 8mm sash cover
- 17mm rebate height

SECURITY

- Kitemarked approved to PAS 24 enhanced security standard

THERMAL INSULATION

- Ud 0.97 W/m²k
- DSER E to A+

DESIGN

- complements classical and contemporary architecture
- personalise with glazing bead options
- white colour RAL 9016
- many foil colour options available from stock
- Decoroc® colours and more foils on request

SIZE LIMITATION AND PERFORMANCE CHARACTERISTICS

TRADITIONAL 2500 PVC-U DOOR SYSTEM

DOOR TYPE	LENGTH (MM) - MAXIMUM	HEIGHT (MM) - MAXIMUM	AIR PERMEABILITY CLASSIFICATION	WATER TIGHTNESS CLASSIFICATION	RESISTANCE TO WIND CLASSIFICATION	EXPOSURE CATEGORY AS GIVEN IN TABLE 1 OF BS 6375-1
-----------	--------------------------	--------------------------	------------------------------------	-----------------------------------	---	--

SASH DIMENSIONS FOR DOORS WITH APPROVED OUTER FRAME AND SASH PROFILES

OPEN IN (MASTER LEAF) WITH LOW THRESHOLD	905	2090	4	3A	A3	1200
SLAVE LEAF	895	2090	4	3A	A3	1200
COUPLED SIDE PANEL	1100	2145	4	3A	A3	1200

OVERALL DIMENSIONS FOR DOORS WITH APPROVED OUTER FRAMES

DOUBLE LEAF OPEN IN	1800	2150	4	4A	A3	1200
DOUBLE LEAF OPEN OUT	1800	2150	3	6A	A3	1200

TRADITIONAL 2500 FRENCH DOOR

deceuninck

nbsPlus

riba
product
selector

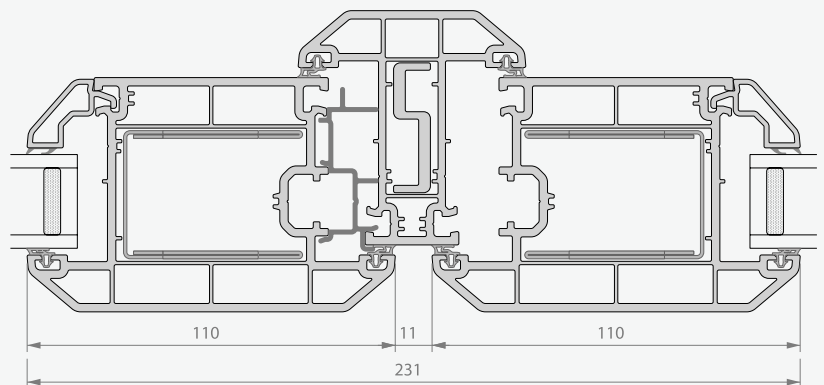
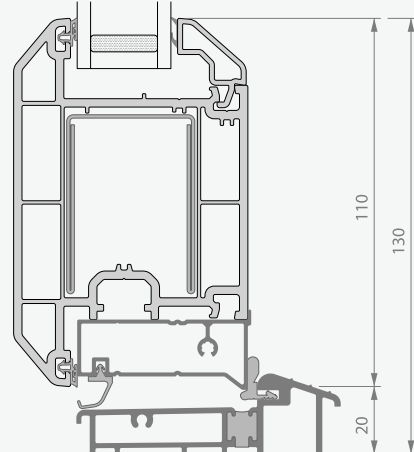
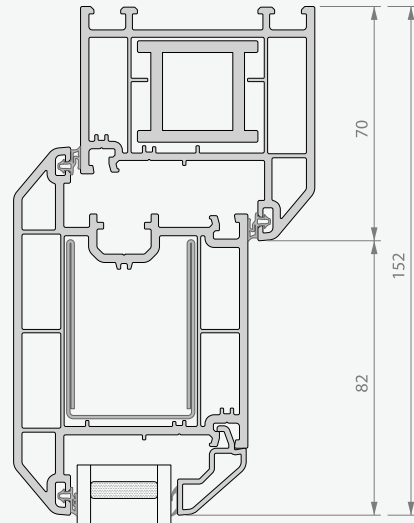
nbs
BIM

TECHNICAL AND SPECIFICATION SUPPORT

Specification Support forms an essential link between architects, specifiers and approved Deceuninck fabricators and installers. The team provide informed guidance on the use of products, samples, drawings and specifications with contact maintained throughout each stage of a contract to completion.

Deceuninck can offer a technical design service for suitable schemes embracing:

- product selection and application
- technical review to confirm compliance with Building Regulations
- advice on exposure conditions
- wind load calculations
- framing construction and design solutions
- generation of scheme drawings for tendering purposes
- technical specification
- window samples for client/authority approval



deceuninck

TRADITIONAL 2500 FRENCH DOOR

2500
FRENCH
DOOR



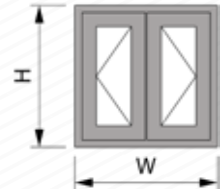
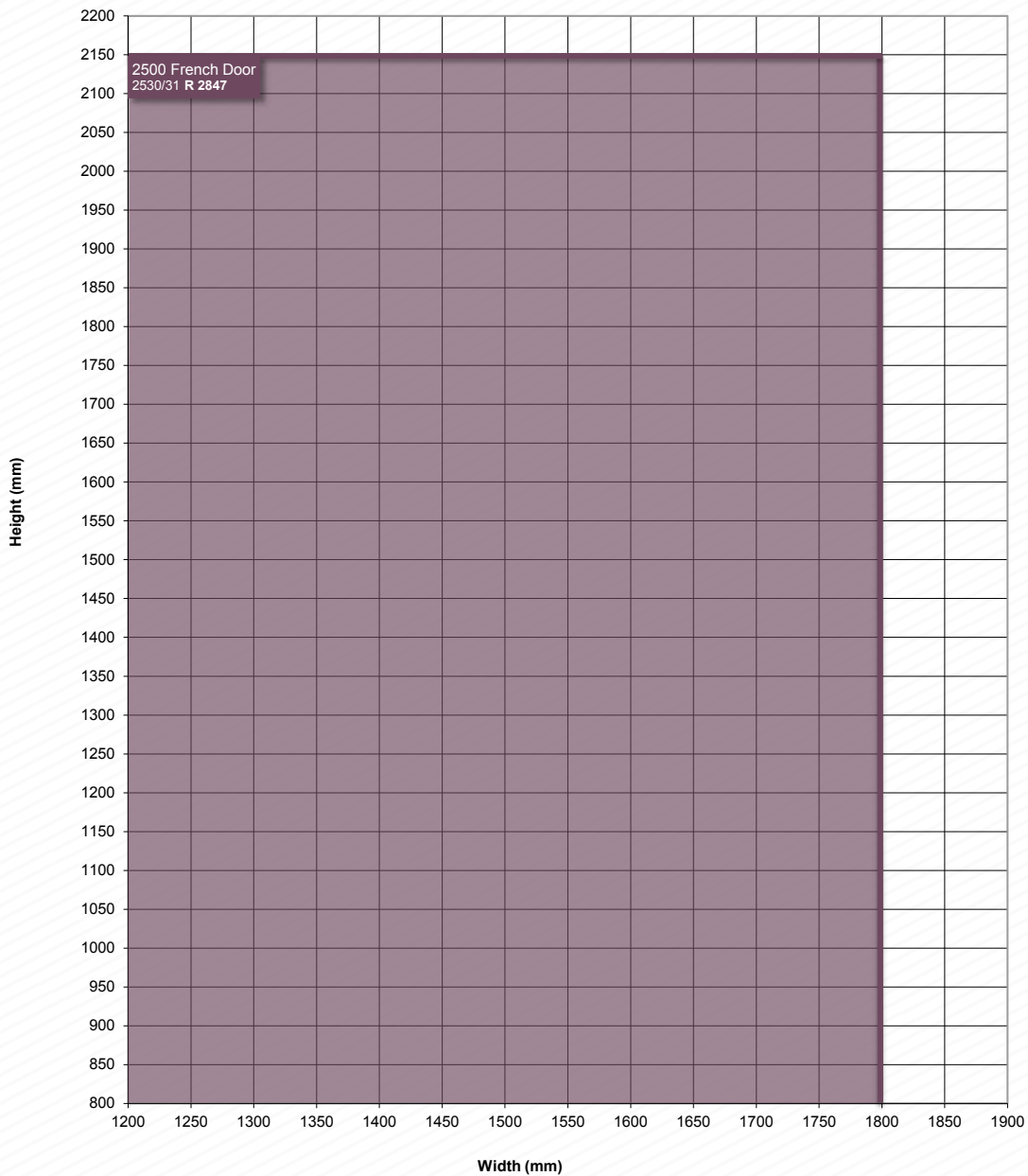
COMPLIMENTS
MODERN AND
CLASSICAL
ARCHITECTURE



TRADITIONAL 2500 FRENCH DOOR

deceuninck

MAXIMUM FRAME DIMENSIONS

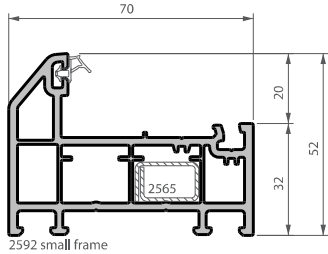


TRADITIONAL 2500

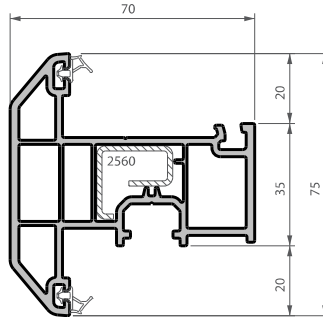
PRODUCT RANGE



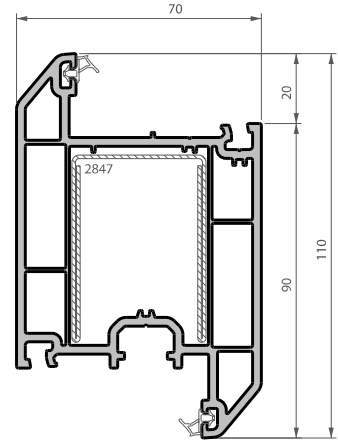
TRADITIONAL 2500 PRODUCT RANGE



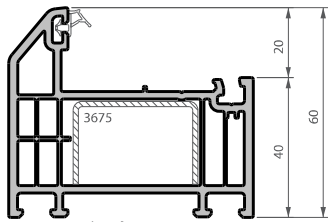
2592 small frame



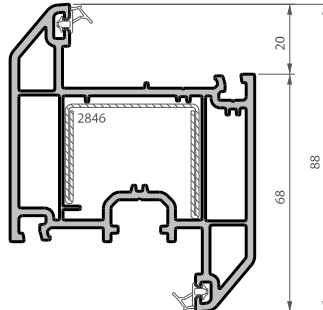
2594 casement sash



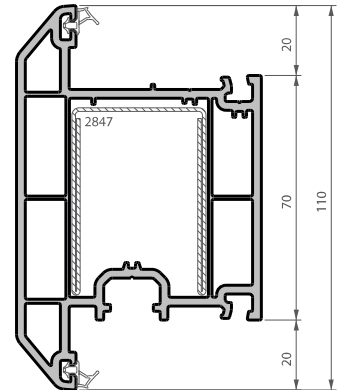
2530 inward opening door sash, large Z transom/mullion



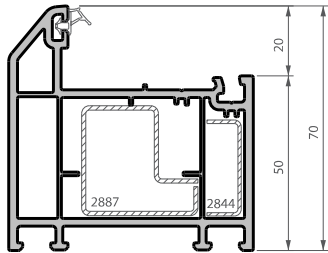
5670 intermediate frame



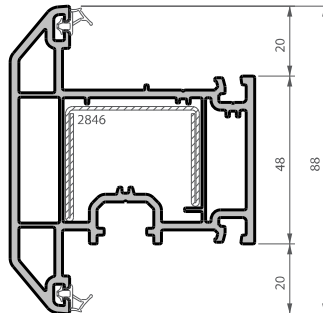
2537 tilt & turn, intermediate Z transom/mullion



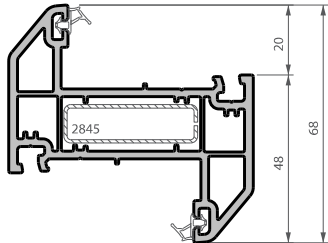
2531 outward opening door sash, large T transom/mullion



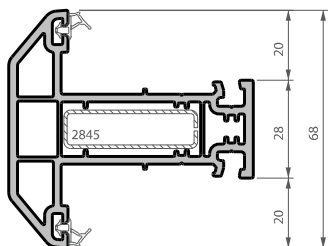
2533 large frame



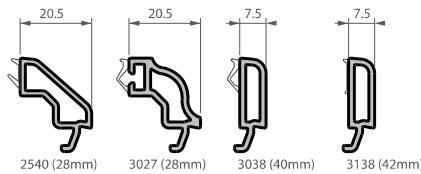
2538 intermediate T transom/mullion



2536 Z transom/mullion



2535 T transom/mullion

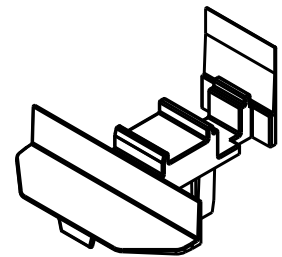


2540 (28mm)

3027 (28mm)

3038 (40mm)

3138 (42mm)



2552 french false mullion end cap for 2535



3299 gasket



2542 composite Q-1on



2576 TCI for 2592



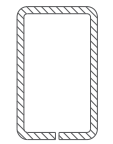
2577 TCI for 2594



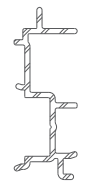
4808 TCI for 2533



2539 TCI for 2535/36



2519 for 2537/38



2555 french mullion adaptor